



Ultra-short throw laser projector with 4K high-definition images and excellent color accuracy

FP-ZUH6000 series

Development announcement / Scheduled for release in summer 2025



Black and White (made-to-order)
Scheduled for simultaneous release

Key Features



◆ High-Resolution 4K Projection

- For the first time ever, the "Z Series" now supports high-resolution 4K projection.
- By rapidly shifting the pixels of the input image horizontally and vertically in four directions, it achieves 4K UHD (3,840x2,160) resolution projection.

◆ Exceptional Color Reproduction

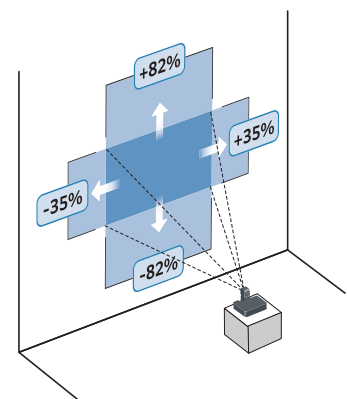
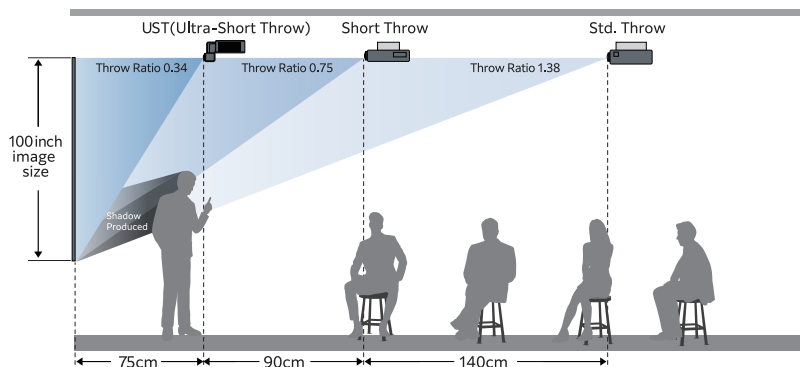
- Ideal for creating immersive spaces with immersive content.
- Optimized red balance enhances overall color reproduction by approximately 1.5 times.*1

◆ Equipped with our unique 'Folded two-axial rotatable lens,' allowing for intentional spatial presentation.

- The dual rotation mechanism lens supports various installation styles such as flat placement, ceiling mount, and vertical placement, enabling easy setup even in confined spaces.

◆ Ultra short throw lens with TR*2 value of 0.34 and best-in-class lens shift function*3

- The ultra short throw lens with a TR value of 0.34 enables projection of a 100-inch large screen from just 75 cm away.
- Incorporates large-diameter aspherical lenses, providing a best-in-class lens shift function with 82% vertical and 35% horizontal adjustment.
- Supports zero offset projection, maximizing the use of the projection surface for spatial design.



*1 Compared to our previous Z8000 series models. *2 The TR (Throw Ratio) value is calculated by dividing the projection distance by the screen width. The smaller the TR value, the larger the image that can be projected from a closer distance. *3 With a laser light source and 6000 lumens brightness or higher, as an ultra-short throw projector (TR value 0.4 or less). As of February 1, 2025. Based on our research. * The product specifications and appearance are subject to change without notice.

■ Various Projection Styles



■ Main Specification

Model name		FP-ZUH6000		
DLP® chip	Size	0.65 in, 16:9 aspect ratio		
	Display method	1 Chip DLP®		
	Resolution	2,073,600 pixel (1920 × 1080)		
Lens	Type	Folded two-axial rotatable lens		
	Shift	Electrical: Vertical ±82%, Horizontal ±35%		
	Zoom	Electrical: ×1.0-×1.1		
	Throw ratio(TR) ^{*1}	0.34 (Wide)-0.37 (Telephoto)		
	Focal length	f=5.0mm (Wide)-5.5mm (Telephoto)		
	F No.	F2.3 (Wide)-F2.39 (Telephoto)		
	Keystone correction range	Vertical ±5°/ Horizontal ±5°		
Light source		Laser diode		
Brightness [ANSI lm ^{*2}]		6,000lm		
Light source life ^{*3}		20,000 hours		
Contrast ratio ^{*4}		12,000 : 1		
Projected image size		70-300 inches		
Maximum display resolution (W×H)		4K 3840 × 2160 (4K mode ON)		
Terminals	Video IN terminals	HDMI® 1	TypeA	HDMI®2.0 (Compatible with HDCP 2.2)
		HDMI® 2	TypeA	HDMI®2.0 (Compatible with HDCP 2.2)
		HDBaseT™	RJ-45	for video/audio/connection control
	Video OUT terminals	HDMI®	TypeA	HDMI® 2.0 (Compatible with HDCP 2.2)
		LAN	RJ-45	for network connection (10BASE-T/100Base-TX)
	Control IN/OUT terminals	HDBaseT™	RJ-45	for projector connection control
		RS-232C	D-Sub 9Pin	for projector connection control
Audio OUT terminal	AUDIO OUT	M3.5mm stereo mini jack		
Remote IN	REMOTE	M3.5mm stereo mini jack	for wired remote control	
Others	USB 1	TypeA	DC 5V 1.5A (Max)	
	USB 2	TypeB	for maintenance	

Power supply		AC 100-120V, AC 220-240V 50/60Hz	
Power consumption	Maximum power consumption	660W	
	Normal	540W	
	Eco	285W	
	Standby	Approx.0.5W	
	Network standby	Approx.8.0W	
Dimensions		486mm (W) × 496mm (D) × 175mm (H) (excluding adjustable feet and protruding parts)	
Weight		Approx.17.5kg (38.6lb) 36dB	
Noise level ^{*5}	Normal	36dB	
	Eco	34dB	
Operation environment		Operating temperature 0-40°C(32-104°F)	
Accessories included		Power cord 3.0m (9.8ft)	
		Lens cap	
		Remote control	
		Remote control battery (AAA type ×2)	
		Basic manual	

*1 The "throw ratio" is the throw distance divided by the screen width.

*2 The average value for this model at shipment, according to ANSI standards.

*3 The estimated time taken for brightness to drop by half. Varies with the operating environment and conditions of use.

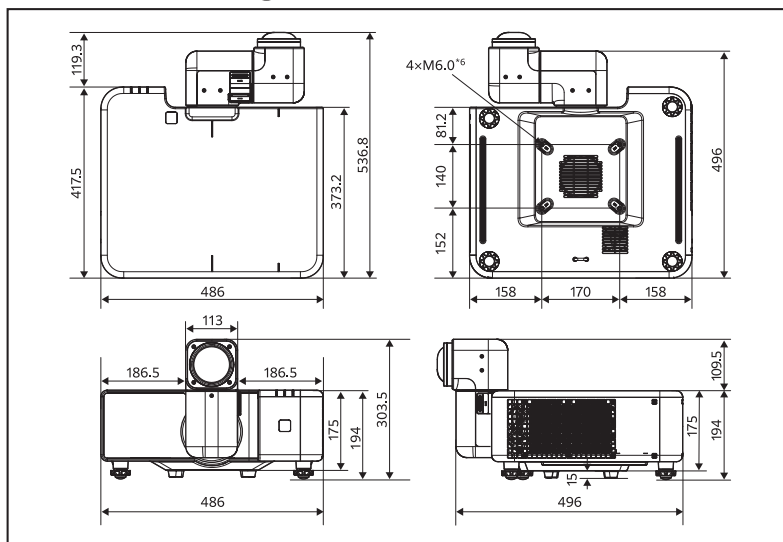
*4 Assumes that dynamic black is on.

*5 The average value for this model at shipment.

Product specifications and appearance are subject to change without advance notice

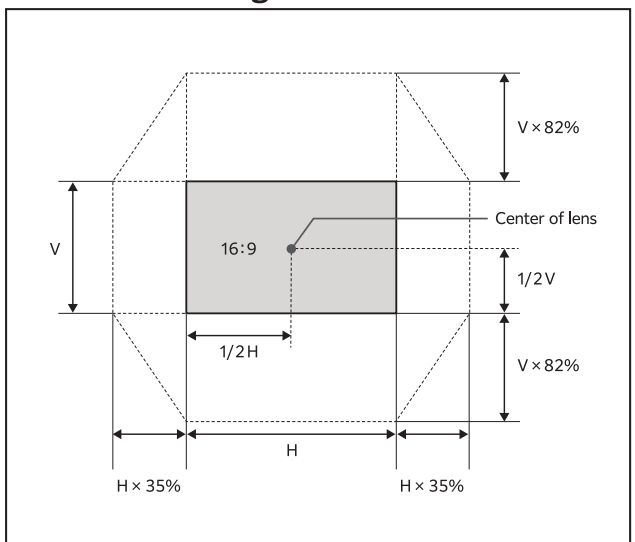
- DLP Cinema and the DLP Cinema logo are trademarks or registered trademarks of Texas Instruments.
- The terms HDMI and HDMI High-Definition Multimedia Interface, and the HDMI Logo are trademarks or registered trademarks of HDMI Licensing Administrator, Inc. in the United States and other countries.
- HDBaseT and HDBaseT Alliance logo are trademarks of HDBaseT Alliance.

■ Outline Drawing



*6 For ceiling mount installation

■ Lens Shift Range



FUJIFILM Corporation Professional Imaging Group Imaging Solutions Div.

For more information, visit our News Release site here.
<https://www.fujifilm.com/jp/en/news/hq/12003>



Warning Handle the projector correctly in accordance with the user's manual to ensure safe use.
 *Product specifications, appearance, price, etc. are subject to change without advance notice.
 *Product colors in this catalog may differ in appearance from the actual product due to photography and printing conditions.